

Professional Workwear customization

Work Jacket and Pants/Work Bib Pants/Work Coveralls/Pure Cotton Workwear/Polyester
cotton/Denim work clothes/Winter work clothes/Flame retardant/Vest/T-shirt
One stop service for all categories of work clothes



Based on sincerity and
winning with quality




Work Jacket and Pants

[No.] WQ2115

[Name] High-end hemming strips color matching style

[Fabric] 100% cotton

[Technology] Full process printing and dyeing

[Color] 

[Characteristic]

Unique silhouette, contrasting color design, zippered placket, large capacity pocket design, thickened knees of pants, can accommodate knee protectors, multiple bright reflective strips, ensuring safety



Work Jacket and Pants

[No.] WQ2116

[Name] High-end stand collar color matching style

[Fabric] 100% cotton

[Technology] Full process printing and dyeing

[Color] 

[Characteristic]

Pure cotton breathable and wear-resistant fabric, contrasting color stitching, stand up collar for style, Velcro collar and cuffs, elastic hem and waist, suitable for various body types



Work Jacket and Pants

[No.] WQ2119

[Name] Colored Swallowtail

[Fabric] 100% cotton

[Technology] Full process printing and dyeing

[Color] 

[Characteristic]

All cotton breathable and wear-resistant fabric, color matching design, dovetail cut hem, highlighted reflective strip, improving safety factor



Work Jacket and Pants

[No.] WD2118

[Name] Orange 3D Bag Oxford Reinforcement

[Fabric] Cotton polyester TC80/20 255g

[Technology] Full process printing and dyeing

[Color] 

[Characteristic]

Polyester cotton and waterproof Oxford fabric splicing, wear-resistant and durable, three-dimensional large pocket design, threaded cuffs, elastic waistband, double layer reinforced knee protection



Work Jacket and Pants

[No.] WD2120

[Name] Cotton polyester split suit

[Fabric] Cotton polyester

[Color] ■■■

[Characteristic]

Polyester cotton fabric, wear-resistant and durable, multiple pockets for convenient storage, split design to meet different needs



Work Bib Pants

[No.] WD2120

[Name] Cotton polyester strap pants

[Fabric] Cotton polyester

[Color] ■■■

[Characteristic]

Polyester cotton fabric, wear-resistant and durable, with multiple pockets designed for convenient and practical use



Work Bib Pants

[No.] WD2121

[Name] Cotton polyester strap pants

[Fabric] Cotton polyester

[Color] ■■■■

[Characteristic]

Polyester cotton fabric, wear-resistant and durable, with multiple three-dimensional pocket designs for convenient storage



Work Bib Pants

[No.] WD2123

[Name] Cotton polyester color matching strap pants

[Fabric] Cotton polyester

[Color] ■■■■

[Characteristic]

Polyester cotton fabric, wear-resistant and durable, color matching design, fashionable and minimalist, multiple pocket designs, convenient and practical



Work Bib Pants

[No.] WQ2124

[Name] Cotton multi pocket strap pants

[Fabric] 100% cotton

[Color] ■■■

[Characteristic]

Pure cotton fabric, comfortable and breathable to wear, multiple pockets design, convenient storage, and strap design for easy on and off



Work Bib Pants

[No.] WQ2125

[Name] Cotton solid color strap pants

[Fabric] 100% cotton

[Color] ■■■

[Characteristic]

Pure cotton fabric, comfortable and breathable to wear, with a strap design for easier on and off



Work Coveralls

[No.] WD2120

[Name] Cotton polyester jumpsuit

[Fabric] Cotton polyester

[Color] ■■■

[Characteristic]

Polyester cotton fabric is wear-resistant and durable, comfortable and breathable to wear, with a one-piece design and guaranteed safety



Work Coveralls

[No.] WD2122

[Name] Cotton polyester color matching elastic back waist jumpsuit

[Fabric] Cotton polyester

[Color] ■■■■

[Characteristic]

Polyester cotton is wear-resistant and durable, with elastic design at the back waist, suitable for various body types and more comfortable to wear



Work Coveralls

[No.] WD2124

[Name] Cotton polyester jumpsuit

[Fabric] Cotton polyester

[Color] 

[Characteristic]

Polyester cotton fabric, wear-resistant and durable, comfortable and breathable, all in one design, ensuring safety



Work Coveralls

[No.] WQ2126

[Name] Cotton pleated back waist jumpsuit

[Fabric] 100% cotton

[Color] 

[Characteristic]

Cotton is comfortable and breathable, with a pleated design at the back waist, beautiful and practical, and bright reflective strips to ensure work safety



Work Coveralls

[No.] QM217

[Name] Cotton reflective strip jumpsuit

[Fabric] 100% cotton

[Technology] Full process printing and dyeing

[Color] 

[Characteristic]

All cotton breathable and wear-resistant fabric, with a one-piece design, simple and elegant, and multiple reflective strips throughout the garment to ensure work safety



Work Coveralls

[No.] DM218

[Name] Cotton polyester one piece work clothes

[Fabric] Cotton polyester TC80/20 235g

[Technology] Full process printing and dyeing

[Color] 

[Characteristic]

The fabric is comfortable and breathable, wear-resistant and durable, with a solid color one piece design, ensuring safety and security



Work Coveralls

[No.] QM8669

[Name] Grey reflective pure cotton jumpsuit

[Fabric] 100% cotton

[Color]

[Characteristic]

Pure cotton is comfortable and breathable, with gray reflective strips in multiple places throughout the garment, and a one-piece design for safer protection



Work Coveralls

[No.] QM8057

[Name] Green woven reflective pure cotton jumpsuit

[Fabric] 100% cotton

[Color]

[Characteristic]

Pure cotton is comfortable and breathable, with green woven reflective strips and a one-piece design for safer protection



Pure Cotton Workwear

[No.] QM2112

[Name] Cotton Contrast Chest Pocket Reflective Stripes
Spring and Autumn Long Sleeves

[Fabric] 100% cotton

[Technology] Full process printing and dyeing

[Color]

[Characteristic]

Classic silhouette design, misaligned hood for personalized fashion, and reflective strips added to the chest pocket to ensure worker safety



Pure Cotton Workwear

[No.] QM20126

[Name] High quality cotton pocket color matching work clothes

[Fabric] 100% cotton

[Color]

[Characteristic]

Classic lapel design, double pockets on the chest, snap closure on the placket, comfortable and breathable pure cotton fabric, durable and durable



Pure Cotton Workwear

[No.] QM2091D

[Name] Summer short sleeved pure cotton reflective strip work clothes

[Fabric] 100% cotton

[Color]

[Characteristic]

Classic design with a large chest pocket, zippered snap placket, and bright reflective strips at the front and back to ensure worker safety



Pure Cotton Workwear

[No.] QM2091X

[Name] Summer cotton reflective strip work clothes

[Fabric] 100% cotton

[Color]

[Characteristic]

Classic design with a large chest pocket, zippered snap placket, and bright reflective strips at the front and back to ensure worker safety



Polyester cotton

[No.] DM160

[Name] Big pocket Auto repair workwear

[Fabric] Cotton polyester TC80/20 255g

[Technology] Full process printing and dyeing

[Color]

[Characteristic]

Fashionable stitching color, large capacity bread pocket, zippered placket, cuffs adjustable snap closure, practical and convenient



Polyester cotton

[No.] DM154

[Name] Polyester cotton edging triangular pocket cover style

[Fabric] Cotton polyester TC65/35 235g

[Technology] Full process printing and dyeing

[Color]

[Characteristic]

Classic style stitching design, zippered placket, triangular pocket cover, minimalist and atmospheric



Polyester cotton

[No.] DM935D

[Name] Summer polyester cotton poplin half sleeved

[Fabric] Cotton polyester TC65/35 110g

[Technology] Full process printing and dyeing

[Color] 

[Characteristic]

Classic design with buckle placket and inverted triangular pocket cover, comfortable and breathable fabric, durable and durable



Polyester cotton

[No.] DM20148

[Name] Spring and Autumn Road Construction Work Clothes

[Fabric] Cotton polyester TC80/20

[Technology] Full process printing and dyeing

[Color] 

[Characteristic]

Comfortable and breathable fabric, wear-resistant and durable, with multiple widened and highlighted reflective strips for safety



Polyester cotton

[No.] DM20149D

[Name] Summer short sleeved road construction work clothes

[Fabric] Cotton polyester TC65/35

[Technology] Full process printing and dyeing

[Color] 

[Characteristic]

Comfortable and breathable fabric, wear-resistant and durable, with multiple widened and highlighted reflective strips for safety



Denim work clothes

[No.] NZ2091

[Name] Button elastic denim work clothes

[Fabric] Elastic denim fermentation washing

[Technology] Full process printing and dyeing

[Color] 

[Characteristic]

Stereoscopic cut, buckle placket, multi pocket design throughout the garment, multiple double stitching for durability



Denim work clothes

[No.] NZ2021

[Name] Zipper stretch denim work clothes

[Fabric] Elastic denim fermentation washing

[Technology] Full process printing and dyeing

[Color] ■■■

[Characteristic]

Dual purpose collar with reversible and stretchy denim fabric for comfortable and breathable wear, with added large capacity pockets



Denim work clothes

[No.] NZ030

[Name] Thickened denim work clothes

[Fabric] White yarn denim pure cotton fermentation washing

[Technology] Full process printing and dyeing

[Color] ■■■

[Characteristic]

Textured metal buckle, chest patch pocket, wear-resistant and durable fabric, breathable and comfortable



Denim work clothes

[No.] NZ2201

[Name] Summer long sleeved reflective rope small button denim work clothes

[Fabric] White yarn denim polyester cotton fermentation washing

[Technology] Full process printing and dyeing

[Color] ■■■

[Characteristic]

Summer thin fabric, lightweight and soft, breathable and wear-resistant, with multiple pocket designs



Denim work clothes

[No.] NZ316-2

[Name] Summer long sleeved combed cotton national grid power denim work clothes

[Fabric] Thin material combed cotton pure cotton fermentation washing

[Technology] Full process printing and dyeing

[Color] ■■■

[Characteristic]

Top lapel design, multiple pockets throughout the body, and reflective stripes for safety



Denim work clothes

- [No.]** NZ172
[Name] Summer short sleeved combed cotton dovetail denim work clothes
[Fabric] Thin material combed cotton pure cotton fermentation washing
[Technology] Full process printing and dyeing
[Color] ■■■
[Characteristic]
 Top lapel design, double back pockets added to pants, comfortable and breathable fabric



Winter work clothes

- [No.]** DM13-10YT
[Name] Reflective strip winter jacket----non-detachable
[Fabric] Polyester yarn
[Technology] Full process printing and dyeing
[Color] ■■■
[Characteristic]
 Solid colored work clothes, zipper snap placket, integrated padded inner liner, widened and highlighted reflective strip

Winter work clothes

- [No.]** DM13-11
[Name] Wide reflective strip detachable winter jacket
[Fabric] Cotton polyester TC85/15 255g
[Technology] Full process printing and dyeing
[Color] ■■■■
[Characteristic]
 Solid colored work clothes, three-dimensional cutting, elastic windproof cuffs, detachable padded inner liner, front and rear highlighted reflective strips




Winter work clothes

- [No.]** DMMF20124
[Name] Cotton polyester patting winter jacket detachable
[Fabric] Cotton polyester
[Color] ■■■■■
[Characteristic]
 Contrast color design with stitching, zippered placket, detachable padded inner liner, upright collar and neck protection for wind and cold resistance





Winter work clothes

[No.] QMMF20103YR
[Name] All cotton medium length detachable down jacket
[Fabric] 100% cotton
[Color] 
[Characteristic]
 Solid colored work clothes with a stylish appearance, enlarged pockets, and detachable down inner liner



Flame retardant

[No.] TZ001-002-003-004-003A
[Name] All cotton flame retardant clothing
[Fabric] All cotton flame retardant twill fabric
[Technology] Full process printing and dyeing
[Color] 
[Characteristic]
 Pure cotton flame retardant technology treatment, high temperature resistant, non flammable and non melting or dripping when exposed to open flames




Flame retardant

[No.] TZ161-1-2-3
[Name] Pure Cotton flame retardant anti-static coverall
[Fabric] Cotton flame-retardant straight tribute anti-static fabric
[Technology] Full process printing and dyeing
[Color] 
[Characteristic]
 Comfortable and breathable fabric, durable and durable, with multiple reflective stripes throughout the body



Flame retardant

[No.] TZ162-1-2
[Name] Pure Cotton flame retardant jumpsuit with card pockets
[Fabric] All cotton flame retardant twill fabric
[Technology] Full process printing and dyeing
[Color] 
[Characteristic]
 Comfortable and breathable fabric, durable and durable, with multiple reflective stripes throughout the body



Flame retardant

- [No.]** TZ160
- [Name]** Anti static and flame-retardant clothing zipper with green reflective strip
- [Fabric]** All cotton flame retardant twill fabric
- [Technology]** Full process printing and dyeing
- [Color]** ■
- [Characteristic]**
Comfortable fabric, durable and durable, with multiple reflective stripes throughout the body



Flame retardant

- [No.]** TZ2068
- [Name]** National standard aramid flame-retardant standing collar flame-retardant clothing - high configuration
- [Fabric]** Aramid flame retardant national standard
- [Color]** ■
- [Characteristic]**
Pure cotton flame-retardant fabric, which does not melt, burn, or drip when exposed to open flames, making standing collar protection safer



- [No.]** MJ9015
- [Name]** Summer mesh 3D vest
- [Fabric]** Polyester amine fiber (nylon) 100%
- [Color]**
- [Characteristic]**
Classic design with most honeycomb breathable mesh and multifunctional three-dimensional pocket design



- [No.]** MJ9017
- [Name]** Spring and summer three-dimensional vest
- [Fabric]** Polyester amine fiber (nylon) 100%
- [Color]**
- [Characteristic]**
Classic design, breathable and not stuffy, detachable back, multifunctional three-dimensional pocket design



[No.] MJ20124

[Name] Reflective stripe color matching vest

[Fabric] High quality gauze card 100% polyester fiber

[Color]

[Characteristic]

Fashionable design with patchwork shoulders, smooth zipper, three-dimensional pockets, and front and rear reflective strips



[No.] MJ20128

[Name] Reflective striped vest

[Fabric] Cotton polyester

[Color]

[Characteristic]

Fashionable silhouette design, stylish V-neck, open line pocket, zipper design, front and rear reflective strips



[No.] MJ20129

[Name] Pure cotton copper zipper vest

[Fabric] 100% cotton

[Color]

[Characteristic]

Classic silhouette, breathable pure cotton, available in multiple colors, with multiple pockets design



[No.] MMJ20121

[Name] Zipper pocket cotton vest

[Fabric] High quality gauze card 100% polyester fiber

[Color]

[Characteristic]

Dual purpose neckline, straight and stylish, with anti-static lining and thickened silk lining



[No.] R317

[Name] High end sports round neck zippered short sleeved T-shirt

[Fabric] Dynamic bead cloth (87% polyester 13% spandex)

[Color] 

[Characteristic]

High end quick drying series, technology breathable fabric, elastic on all sides, free and unrestrained



[No.] R323

[Name] High end sports shoulder color polo shirt

[Fabric] Dynamic bead cloth (87% polyester 13% spandex)

[Color] 

[Characteristic]

High end quick drying series, technology breathable fabric, elastic on all sides, free and unrestrained



[No.] R331

[Name] High end sports collar color blocking Polo shirt

[Fabric] Dynamic bead cloth (87% polyester 13% spandex)

[Color] 

[Characteristic]

High end quick drying series, technology breathable fabric, elastic on all sides, free and unrestrained



[No.] R335

[Name] High end sports color matching round neck short sleeved T-shirt

[Fabric] Santschel (100% polyester)

[Color] 

[Characteristic]

High end quick drying series, technology breathable fabric, elastic on all sides, free and unrestrained



[No.] TXM8818

[Name] Solid cotton polo shirt

[Fabric] 220g 60% Cotton 40% Les Aires fiber cotton

[Color]

[Characteristic]

Cotton texture, breathable and comfortable, minimalist design, available in multiple colors



[No.] 5A888

[Name] 50 Thread Count Mulberry Silk 5A Antibacterial POLO Shirt

[Fabric] 200g 50% Matte mercerized 45% Siro spun combed cotton 5% Mulberry silk

[Color]

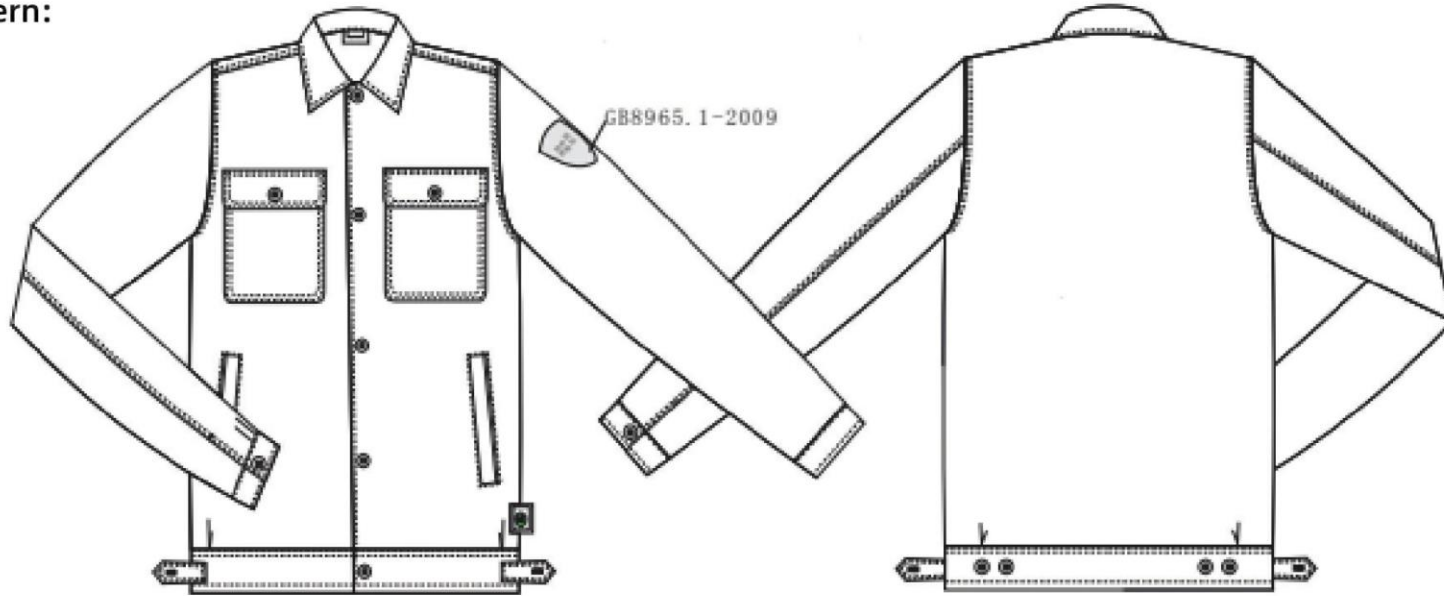
[Characteristic]

Simple and atmospheric design, containing mulberry silk, smooth and breathable, cool, and available in multiple colors

Work Bib Pants Size

SIZE	155	160	165	170	175	180	185	190	195	Tolerance
	XS	S	M	L	XL	XXL	XXXL	4XL	5XL	±2CM
Waist Circumference	83.4	86.8	90.2	93.6	97	100.4	103.8	107.2	110.6	
Pant Length	91	94	97	100	103	106	109	112	115	
Hip Circumference	102.4	105.8	109.2	112.6	116	119.4	122.8	126.2	129.6	
Leg Openging	45	45.5	46	46.5	47	47.5	48	48.5	49	

Pattern:



Fixed dyeing fabric



Add reflective strips



Exquisite embroidery



Make a deluxe print